

KDMIX
KDMIX Series

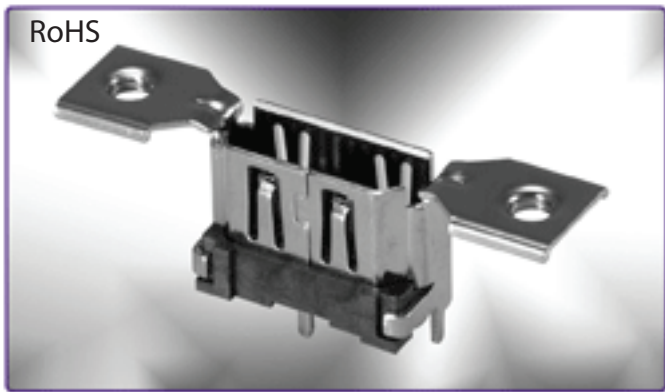
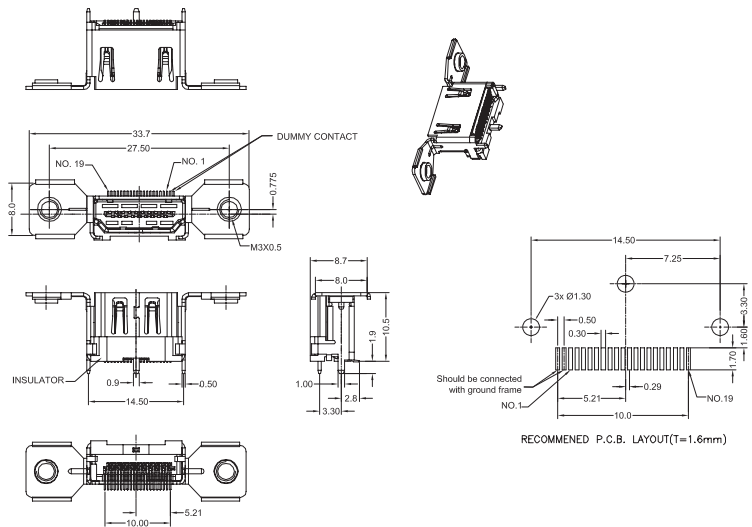
Documentation & Ordering Information

Kycon Part #	
---------------------	--

Part Number Builder

Series	Shield Option	Top Spring	Insulator Option	Plating Option
<p>Series KDMIX - Vertical HDMI(™)</p> <p>Shield Option FS1V - Vertical SMT Shield Tabs, Flange</p> <p>Top Spring WS - With Top Spring</p> <p>Insulator Option B - Black</p>				

KDMIX-FS1V-WS-B30
Dimensions in mm



KDMIX Series
Vertical HDMI(™)

Features

- Metal shields provide better ESD protection
- Provides low impedance mismatch
- 19 position receptacle
- Panel mount flange adds mechanical stability and provides additional grounding

Performance Specifications

Materials and Finish

- Shell** : Copper Alloy Nickel plated
- Insulator** : UL94V-0 Rated Thermoplastic, Color-Black
- Contacts** : Copper Alloy
- Plating** : 30µ" Gold plated over Nickel on contact area.
Tin plated over Nickel on solder tails.

Mechanical Characteristics

- Insertion Force** : 44.1N Max.
- Extraction Force** : 9.8N Min., 39.2N Max.
- Durability** : 10K mating cycles

Electrical Characteristics

- Rated Voltage** : 40V AC (RMS)
- Contact Current Rating** : 0.5Amps Min.
- Contact Resistance** : 10 milliohms Max.
- Insulation Resistance** : 10 Megohms Min. (mated)
:100 Megohms Min. (unmated)
- Dielectric Withstanding** : 500V AC (unmated)
: 300V AC (mated)
- Operating Temperature** : -25°C to 85°C