

RoHS



## KDMIX Series

HDMI<sub>(TM)</sub> SMT and Through Hole Shield  
With/Without Top Spring

### Features

- Metal shields provide better ESD protection
- Provides low impedance mismatch
- 19 position receptacle
- Surface mount or through hole shield tabs

### Performance Specifications

#### Materials and Finish

Shell : Copper Alloy Nickel plated

Insulator : UL94V-0 Rated Thermoplastic, Color-Black

Contacts : Copper Alloy

Plating : Standard : 30μ" Gold plated over Nickel  
GF: Gold Flash

#### Mechanical Characteristics

Insertion Force : 44.1N Max.

Extraction Force : 9.8N Min., 39.2N Max.

Durability : 10K mating cycles

#### Electrical Characteristics

Rated Voltage : 40V AC (RMS)

Contact Current Rating : 0.5Amps Min.

Contact Resistance : 10 milliohms Max.

Insulation Resistance : 10 Megohms Min. (mated)  
: 100 Megohms Min. (unmated)

Dielectric Withstanding : 300V AC (mated)  
: 500V AC (unmated)

Operating Temperature : -25°C to 85°C

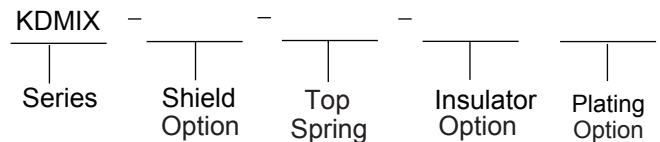
KDMIX

KDMIX Series

### Documentation & Ordering Information


**Kycon Part #**

### Part Number Builder



#### Series

KDMIX - HDMI<sub>(TM)</sub>

#### Shield Option

NS1 - SMT Shield Tabs

NS2 - Through Hole Shield Tabs.

Different Length for Front and Back Tabs

#### Top Spring

NS - Without Top Spring

WS - With Top Spring

#### Insulator Option

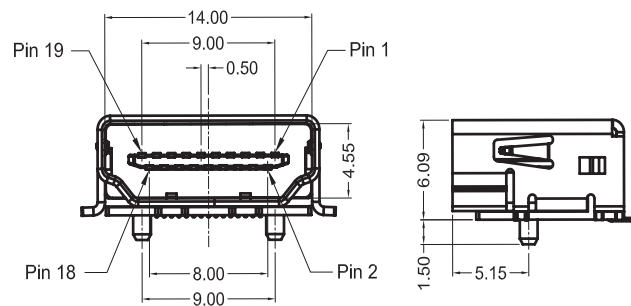
B - Black

#### Plating Option

Blank - 30μ" Gold

GF - Gold Flash

#### KDMIX-NS1-NS-B



#### KDMIX-NS2-WS-B

