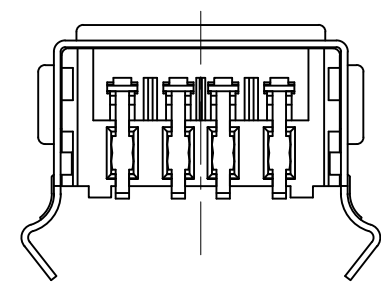
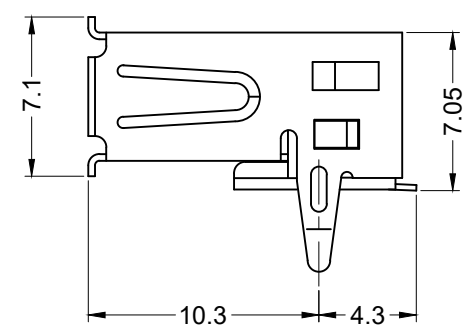
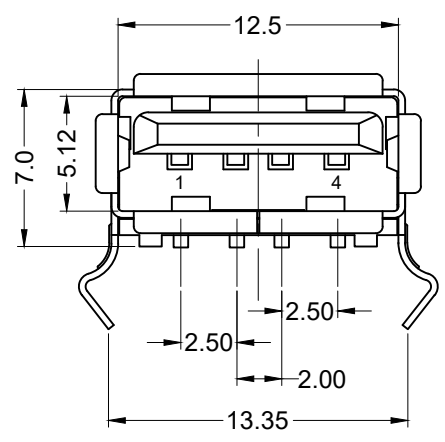


Recommended PCB Layout (component side)



Materials and Finish

Insulator: High Temp.
 UL94V-0 rated
 Color- white or black
 Recommended reflow Soldering Temperature:
 260 ° C for 10 sec.

Contact Material:
 phosphor bronze

Plating Options:
 Standard: gold flash on contact area, 120u" tin on soldertails, all over 50u" nickel
 30 Option: 30u" Gold on contact area, 120u" tin on soldertails, all over 50u" nickel

Shield: copper alloy, 100-200u" nickel plated over 100u" copper

Electrical Specifications

Rated Voltage:
 30V AC (rms)
 Contact Current Rating:
 1A max.
 Contact Resistance:
 30 milliohms Max.
 Insulation Resistance:
 1000 Megohms Min.
 Dielectric Withstanding:
 500V AC

Mechanical Specifications

Insertion Force:
 3.57kg max.
 Extraction Force:
 1.02kg min.
 Operating Temperature:
 -40°C to 85°C

Tolerances
X.X ± 0.35
X.XX ± 0.25
Unless Stated
Otherwise

Part Number	Contact Area Plating Finish	*Insulator Color	Packaging
KUSBX-SMT-AS1N-W	Gold Flash (standard)	White	Bulk (trays, standard)
KUSBX-SMT-AS1N-W30	30u" Gold (30 option)	White	Bulk (trays, standard)
KUSBX-SMT-AS1N-B	Gold Flash (standard)	Black	Bulk (trays, standard)
KUSBX-SMT-AS1N-B30	30u" Gold (30 option)	Black	Bulk (trays, standard)
KUSBX-SMTAS1NWTR	Gold Flash (standard)	White	Tape-and-Reel (TR option)
KUSBX-SMTAS1NW30TR	30u" Gold (30 option)	White	Tape-and-Reel (TR option)
KUSBX-SMTAS1NBTR	Gold Flash (standard)	Black	Tape-and-Reel (TR option)
KUSBX-SMTAS1NB30TR	30u" Gold (30 option)	Black	Tape-and-Reel (TR option)



REV.	DATE	DESCRIPTION	REV. BY	CHK. BY	DRAWN BY	DATE
A1	8/01/05	New Drawing	R. Aguirre	H. Ma	R. Aguirre	8/01/05
A2	9/6/06	ECO#06-056	H. MA	C. Furumasu		
A3	09/29/11	ECO #11-064	S. Vien	H. MA		
A4	05/08/13	ECO #13-020	W. Cook	P. DalCanto		
A5	08/17/18	Address Update	G. Serrato	D. Shehan		

KUSBX-SMT-AS1N-xxx
 xxx = color and plating options

USB A-type Receptacle ,RoHS Compliant
 Single, Right Angle, SMT

