

Material and Finish

Inner Shield: copper alloy, tin plated

Outer Shield: steel, tin plated

Body: PBT thermoplastic
UL94V-0 rated
color - black

Contacts: pins 1 and 2 - brass, tin plated

pin 3 - phosphor bronze, tin plated

Electrical Characteristics

Contact Rating:

#1,#2: 7.5A max. @ 20V DC

#3: 1.0A max. @ 20V DC

Insulation Resistance:

50 Megohms min. at 250V DC

Dielectric Strength:

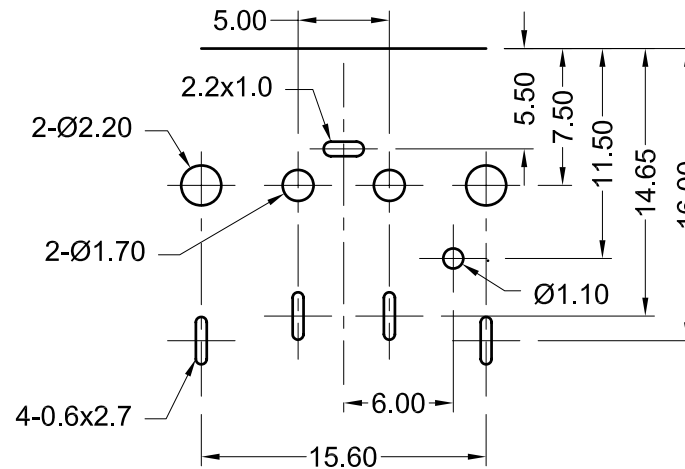
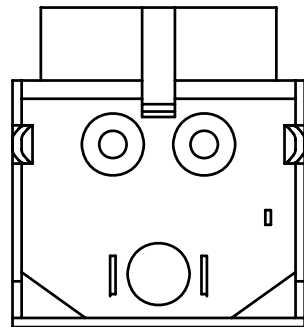
250 V AC rms for 1 minute

Contact Resistance:

30 milliohms max.

Recommended PCB Layout

(Bottom View)



Tolerances

X.X ± 0.25
X.XX ± 0.15
Unless Stated
Otherwise



REV.	DATE	DESCRIPTION	REV. BY	CHK. BY	DRAWN BY	DATE
A1	4/13/05	New Drawing	H. MA	C. Furumasa	H. MA	4/13/05
A2	10/22/07	ECO # 07-048	WILL H.	H. MA		

KPJX-3S-S

DC Power Jack, RoHS Compliant

3 Position, Shielded

