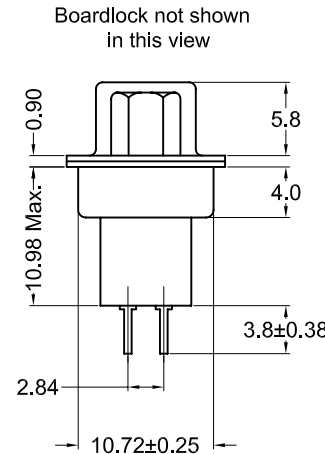
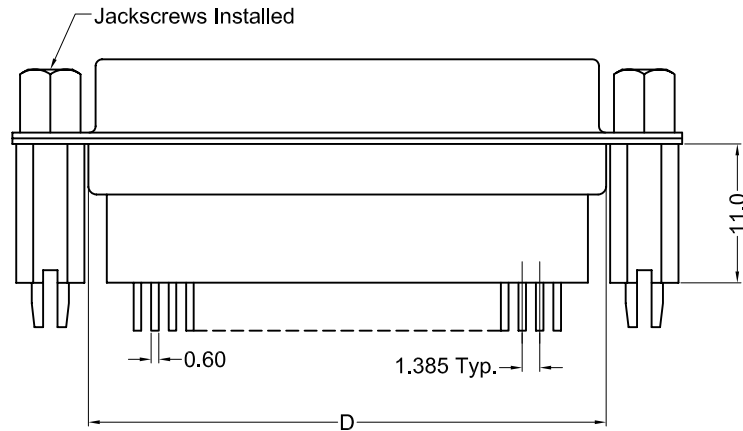


Recommended PCB Layout
(Top View)



Boardlock not shown
in this view

Material and Finish

- Shell: Steel, tin plated
- Insulator: PBT thermoplastic with glass-fiber reinforcement, UL94V-0 rated
Color: Black
- Contact Material:
Socket - Brass
- Contact Plating Options:
Standard: gold flash on mating end, tin on termination end, nickel underplate on entire contact
- 15 Option: 15u" gold on mating end, tin on termination end, nickel underplate on entire contact
- 30 Option: 30u" gold on mating end, tin on termination end, nickel underplate on entire contact

Electrical Specifications

- Rated Current: 2A
- Rated Voltage: 30V RMS
- Insulation Resistance:
more than 1000 megohms at 500V DC
- Contact Resistance:
13 milliohms max.
- Dielectric Withstanding Voltage:
1000V for 1 minute
- Operating Temperature:
-55°C to +105°C

Part Number	Dimensions				Plating Options	
	A	B	C	D		
K88X-ED-9S-BRJ/-BRJ15/-BRJ30	16.33	24.99	30.81	19.2	Blank	Gold Flash
K88X-AD-15S-BRJ/-BRJ15/-BRJ30	24.66	33.32	39.14	27.5		15
K88X-BD-25S-BRJ/-BRJ15/-BRJ30	38.38	47.04	53.04	41.0	30	30u" Gold
K88X-CD-37S-BRJ/-BRJ15/-BRJ30	54.84	63.50	69.32	57.7		



Tolerances
X.X ± 0.25
X.XX ± 0.15
Unless Stated Otherwise

REV.	DATE	DESCRIPTION	REV. BY	CHK. BY	DRAWN BY	DATE
A1	08/14/09	New Drawing	S. Vien	H. MA	S. Vien	05/29/09

K88X-xD-xxS-BRJ

D-Sub, Vertical, High Profile, RoHS Compliant
Female, Boardlocks, Jackscrews

