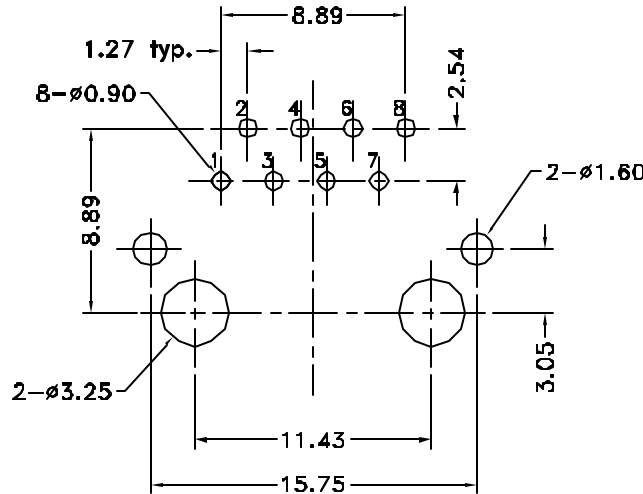
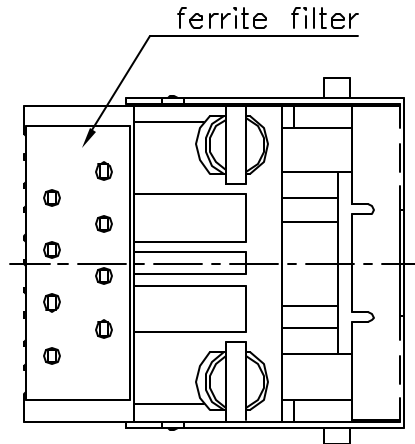


PCB LAYOUT/TOP VIEW



Materials and Finish

Housing Material—
PBT Thermoplastic
UL 94V-0 Rated
Color: Black

Shield Material—
Nickel Alloy— Nickel Plated

Contact Material—
Phosphor Bronze

Contact Plating—
50 Option: 0.0001" Nickel Plating,
Selective Plating 0.00050"
Gold on Contact Area to
Comply with FCC Requirements
Under No. 47 C.F.R. Part 68,
Subpart F

Electrical Characteristics

Insulation Resistance—
500 Megohms Min.

Dielectric Withstanding Voltage—
1000V rms, 60Hz

Contact Resistance—
20 milliohms Max.

Current Rating—
1.5 Amps

Ferrite Specifications	
Test Frequency	Impedance
1 Mhz	1 ohm
10 Mhz	7 ohms
30 Mhz	13 ohms
50 Mhz	16 ohms
100 Mhz	21 ohms

Tolerances
X.X ± 0.25
X.XX ± 0.15
Unless Stated Otherwise

Part Number	Contact Plating Finish
GDLF-S3A-88-50	50u" Gold

CSA NRTL/C Certified File No. LR78180

REVISION	DATE	DESCRIPTION	DRAWN BY	CHECKED BY	UNITS
A05	1/15/01	reverse & correct boardlock orientation on bottom view, change shield plating to tin or nickel	C. Leiva	H. MA	mm
A1	10/3/01	Ref ECD 01-150	CHECKED BY	CHECK DATE	DATE
A2	11/11/05	ECD 05-024	R. Aguirre	11/16/05	10/22/00

GDLF-S3A-88-50

Shielded Mod. Jack, 8 position/8 contacts

Angled Grounding Flaps, Extended Shield, Ferrite Filtered

