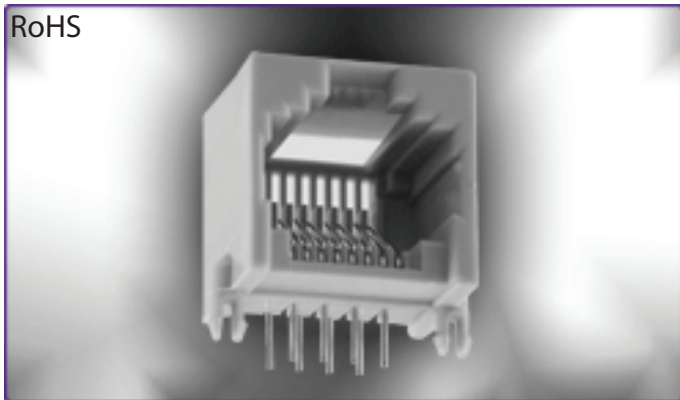


RoHS



GLX Series Right Angle Modular Jack

Features



- 0.570" Height
- Snap-In Board Retention Tabs
- Available in 4, 6, 8 and 10 Position Housings
- CSA/NRTL Certified File No. LR78160

Performance Specifications

Materials and Finish

Housing Material

PBT Thermoplastic, UL 94V-0 Rated, Gray Color

Contact Material

Phosphor Bronze

Electrical Characteristics

Insulation Resistance

500 Megohms Min.

Dielectric Withstanding Voltage

1000V RMS, 60 Hz

Contact Resistance

20 milliohms Max.

Current Rating

1.5A

Voltage Rating

125V DC

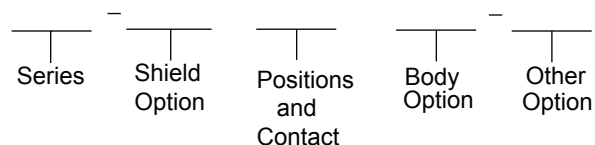
MODULAR JACKS AND PLUGS

GLX Series

Documentation & Ordering Information

Kycon Part

Part Number Builder



Series

GLX - Right Angle Modular Jack

Shield Options

A - Non-Shielded with Panel Stops (4 and 6 Positions only)

N - Non-Shielded without Panel Stops (Available with 4-10 Positions)

S - Shielded without Panel Stops (8 and 10 Positions only)

S1 - Shielded with Top Panel Stops (Available with 6-10 Positions)

Number of Positions/Contacts

44 - 4 Positions/ 4 Contacts

62 - 6 Positions/ 2 Contacts

64 - 6 Positions/ 4 Contacts

66 - 6 Positions/ 6 Contacts

88 - 8 Positions/ 8 Contacts

1010 - 10 Positions/ 10 Contacts

Body Options

Blank - Standard Body

M - Short Body

Other Option

Plating Option:

Blank - Gold Flash

50 - 50µ" Gold Plating

Color Option:

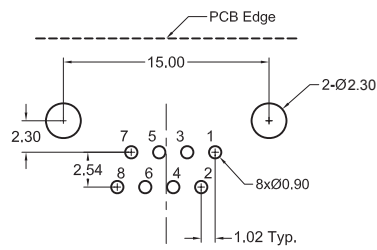
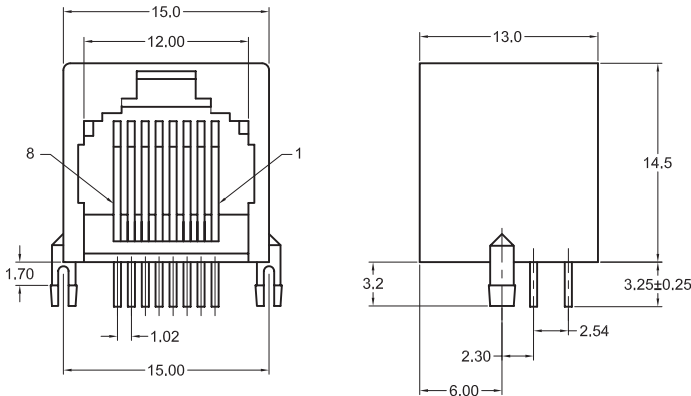
Blank - Gray

BLK - Black

Contact Kycon for high temperature and other options.

* See next page for dimensions

GLX-N-88M
Dimensions in mm



Recommended PCB Layout
(Bottom View)

GLX-S-88M
Dimensions in mm

