

UNIVERSAL SERIAL BUS: KUSB67X Series

Push Pull IP67 Panel Mount

Product Features

IP67 Rated (When used with IP67X-PP Cap)
 A Type USB 2.0
 Contact Area with Gold Plating
 Panel Mount
 Quick Release

Performance Specifications

Materials and Finish

Insulator

Thermoplastic, UL 94V-0 Rated, Black Color

Shell

Steel, Nickel Plated

Contact Material

Phosphor Bronze

Contact Plating Option

Standard: Gold Flash on Contact Area, Tin Plated on Solder
 Tails, All over Nickel Underplate

Mechanical Characteristics

Durability: 1000 Mating Cycles Min.

Electrical Characteristics

Rated Current: 1.5A

Rated Voltage: 30V AC/DC

Insulation Resistance: 500 Megohms Min.

Contact Resistance: 50 milliohms Max.

Dielectric Withstanding Voltage: 500V AC For 1 Minute

2D Drawing	IGES	STEP	3D PDF
Solder Profile	CofC RoHS Compliant	CofC REACH Compliant	UL Plastic File
Certificate of Origin	Check Stock	Request a Sample	Send Us An Email

Generated Part Number

Part Number Builder



Series

KUSB67X - Push Pull IP67 Panel Mount

Type

AS1N - A Type

Interface Option

Blank - USB A to PCB

2 - USB A to USB A

Panel Mount

PM - Panel Mount

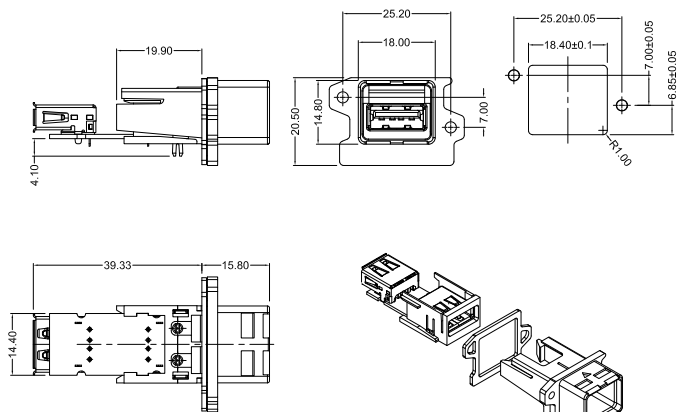
Use with [IP67X-PP-CAP](#) for IP67

Contact Kycon for other options

KUSB67X

Dimensions in mm

KUSB67X-AS1N-2-PM



Note: Recommended Mounting Screw - M2.5 x 2