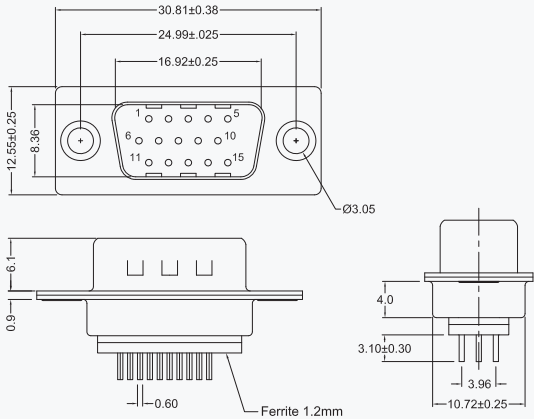




**D-SUBMINIATURE CONNECTORS:**  
**KF86X Series**  
 Vertical PCB Mount High Density with Ferrite

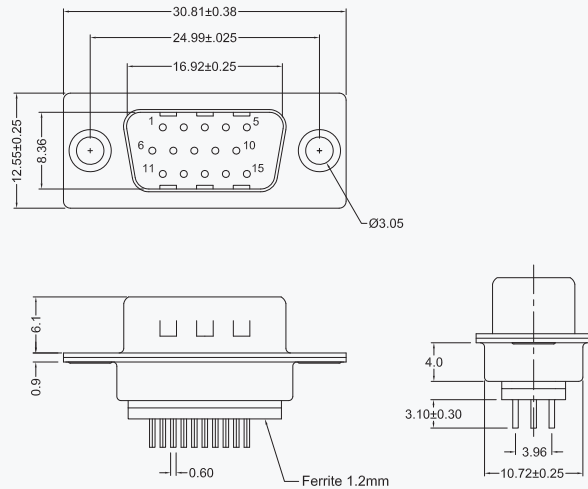
**KF86X-ED-15S Dimensions**

Dimensions in mm



**KF86X-ED-15P Dimensions**

Dimensions in mm



2D Drawing	IGES	STEP	3D PDF
Solder Profile	CofC RoHS Compliant	CofC REACH Compliant	UL Plastic File
Certificate of Origin	Check Stock	Request a Sample	Send Us An Email

Generated Part Number

Part Number Builder

<input type="text"/>	-	<input type="text"/>	<input type="text"/>	<input type="text"/>	<input type="text"/>	<input type="text"/>
Series		Shell Type	Pin Type	Contact Option	Contact Type	Mounting Option Plating Option

**Series**

KF86X - D-Subminiature Vertical Connector

**Contact Shell Size**

E - 15 Contacts

**Contact Construction, Pin Type**

D - Precision Formed

**Contact Type**

P - Pin Contact (Plug)

S - Socket Contact (Receptacle)

**Mounting Option**

Blank - Through Hole

BR - With #4-40 Tin Plated 7.00mm Long Boardlocks

BRJ - With #4-40 Tin Plated 7.00mm Long Boardlocks and #4-40 Jackscrews

K - With #4-40 Bushings

KJ - With #4-40 Bushings and #4-40 Jackscrews

**Plating Option**

Blank - Gold Flash

30 - 30µ" Gold

Contact Kycon for Other Options

**Ferrite Specifications**

Test Frequency	Outer Row	Inner Row
30 Mhz	10-14 Ohms	13-17 Ohms
50 Mhz	12-18 Ohms	15-19 Ohms
100 Mhz	15-20 Ohms	19-24 Ohms